

# SCUBAPRO Repair Guide

## S600-S550 Second Stages

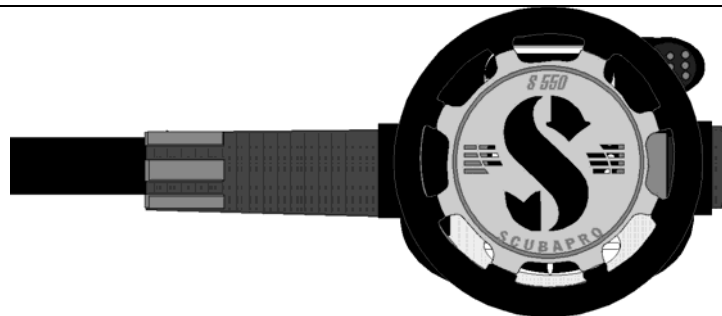


S600 Configuration A



S600 Configuration B

**USE THIS GUIDE AS A REFERENCE WHEN SERVICING THE S600 AND  
S550 SECOND STAGES**



S550

## SCUBAPRO S600-S550 SECOND STAGES

### ***TOOLS NEEDED FOR REPAIR OF S600-S550***



Quantity	Part Number	Description	
1	43.300.227	Balance Chamber Adjusting Tool	
1 set	10.102.100 (Peter Built)	Brass o'ring picks	
1 tube	41.047.000	Christo-Lube	
1	47.010.000	Counter Mat	
1	41.496.101	Lubricant syringe	
1	43.040.000 (Scubapro)	Universal Tool	
1		Jeweler's screwdriver (3mm)	
1		Philip's Screwdriver	
1	11.153.500 (Peter Built)	Ball-end Allen Wrench	
1	43.300.225 (Scubapro)	VIVA Flow Vane Removal Tool	
1	20.500.200 (Peter Built)	Pneumatic Adjusting tool	
1	18.300.500 (Peter Built)	Blow Gun/Air Nozzle	




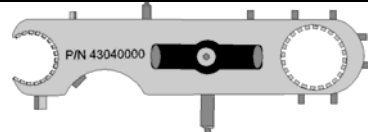
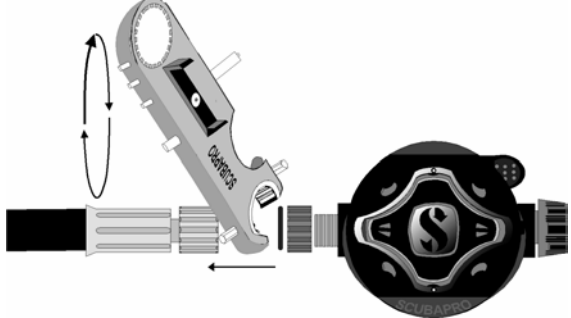
#### ICON LEGEND




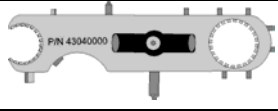
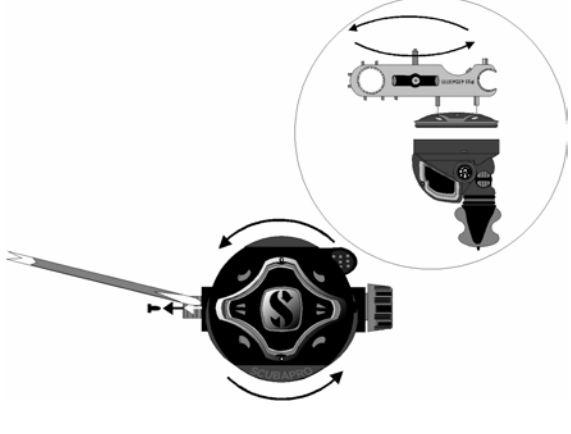
	Inspect carefully, replace if needed		
	Lubricate properly		
	Replace annually		
	Dynamic o'ring, replace annually and lubricate properly		
	No tools needed for this step		
			Indicates the regulators affected by this step



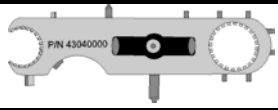
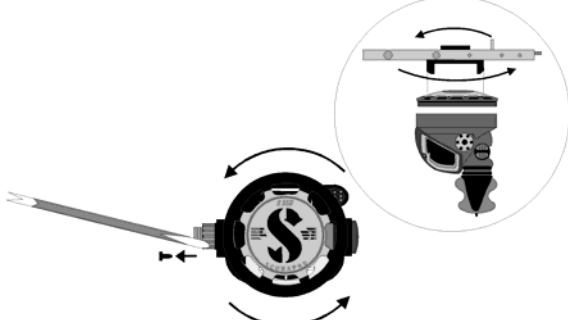
©2003 SCUBAPRO

**Important note:** The following information is not designed to be a complete training guide for servicing the listed SCUBAPRO regulators. All SCUBAPRO technicians are required to attend an annual service training program to insure safe handling and servicing of SCUBAPRO products. All SCUBAPRO technicians must be employed by an authorized SCUBAPRO facility.





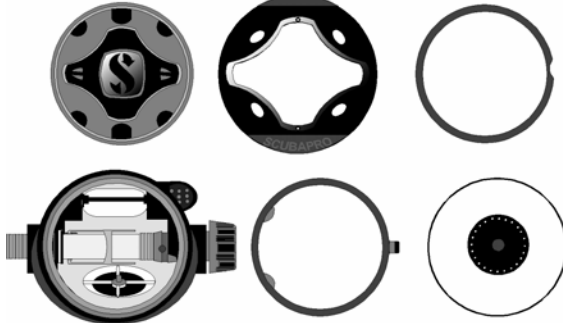
## SCUBAPRO S600-S550 SECOND STAGES



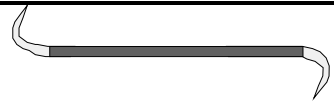
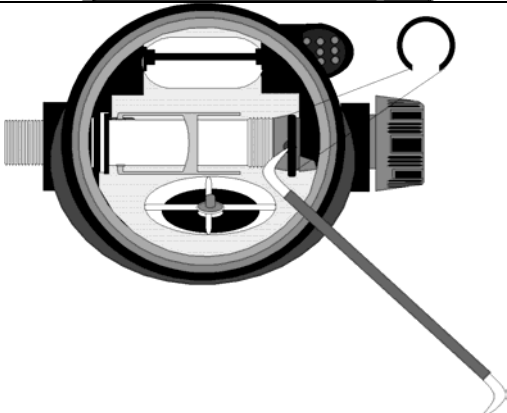
			
<p>Remove hose and jam nut from the second stage.</p>			



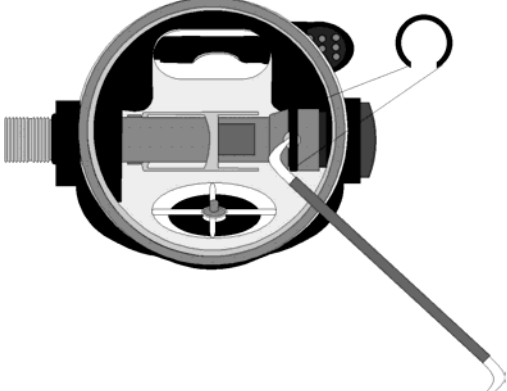
				
<p>Configuration A regulators: housing pin can be removed by using the pointed pick to push from the inside out. This helps prevent case scratching. Otherwise remove the housing pin using the rounded pick or similar tool.</p> <p>Use the universal tool as shown to remove the two-piece second stage cover of the S600.</p>				

				
<p>Remove the housing pin using the brass pick or similar tool.</p> <p>Use the universal tool as shown to remove the two-piece second stage cover on the S550.</p>				



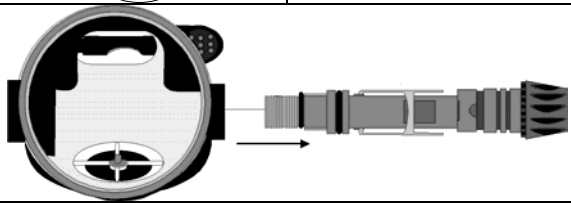


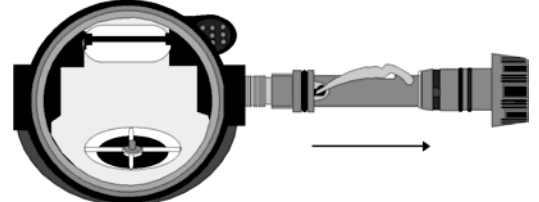


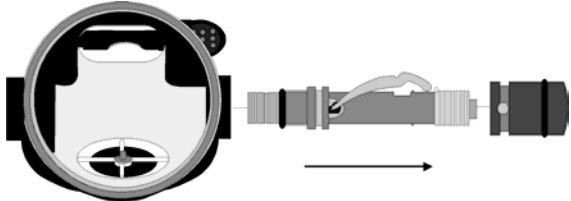

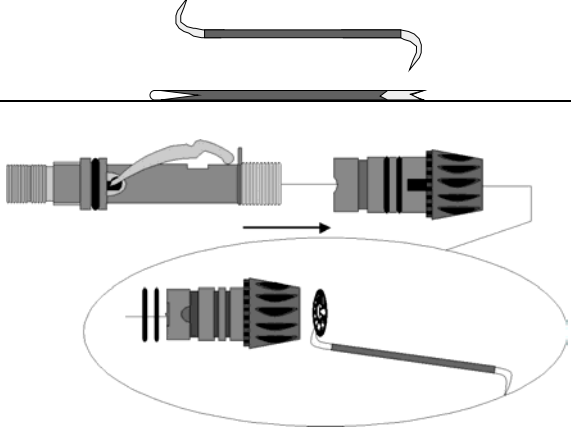
## SCUBAPRO S600-S550 SECOND STAGES

				<p>No tools needed this step</p>
<p>Remove the two-piece cover, friction washers and diaphragm from the second stage housing.</p>				


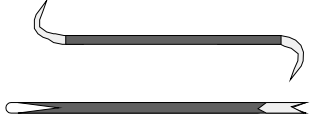
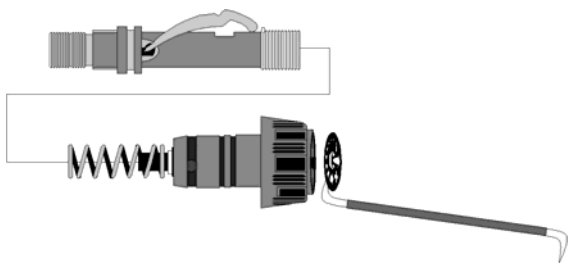


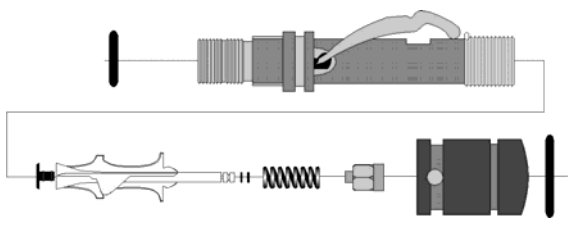

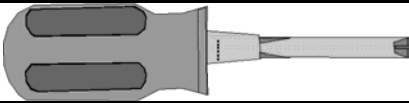
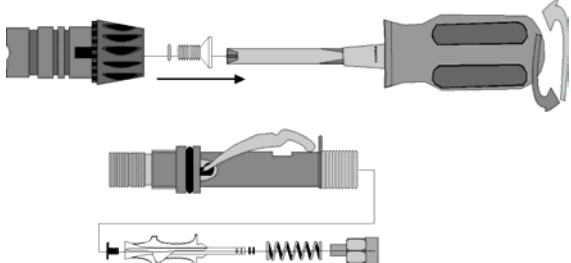
				
<p>Remove the stop clip from the knob.</p> <p>Configuration B: Turn the cracking effort adjustment knob inward a few turns for easier stop clip removal.</p>				

				
<p>Remove the stop clip from the plug.</p>				



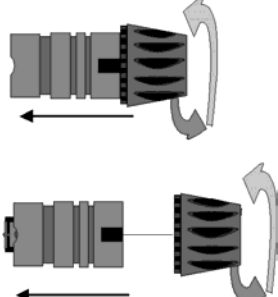


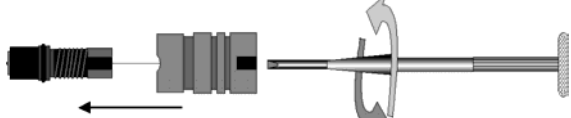


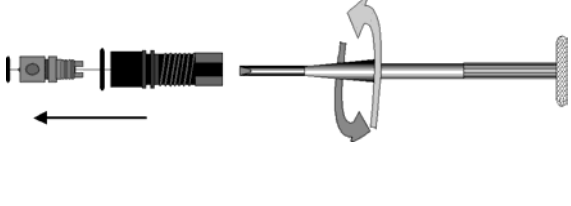

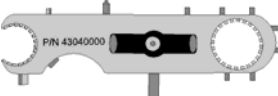
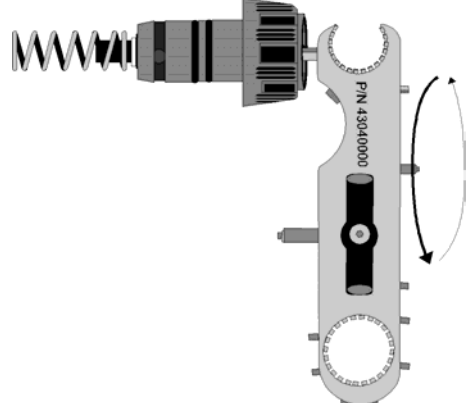
## SCUBAPRO S600-S550 SECOND STAGES

				<p>No tools needed this step</p>
<p>Hold down the lever and remove the air barrel from the case.</p>				
				<p>No tools needed this step</p>
<p>Hold down the lever and remove the air barrel from the case.</p>				
				<p>No tools needed this step</p>
<p>Hold down the lever and remove the plug from the end of the air barrel. Then remove the air barrel itself from the case.</p> <p><b>CAUTION:</b> Remove the plug <u>first</u> to avoid scratching the sealing surface on the case.</p>				
				
<p>Remove the cracking effort adjustment knob from the air barrel.</p> <p>Remove the decal from the cracking effort adjustment knob. This will allow access to the balance adjustment mechanisms.</p> <p>Remove the o-rings from the cracking effort adjustment knob.</p>				



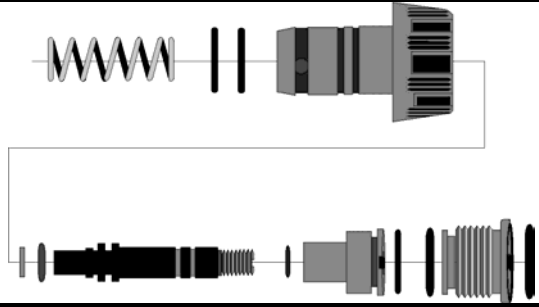






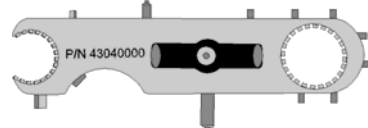
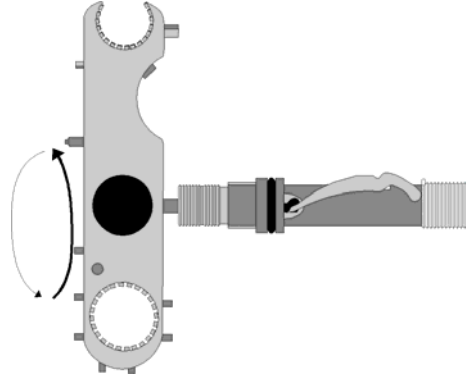
## SCUBAPRO S600-S550 SECOND STAGES

			
<p>Remove the cracking effort adjustment knob from the air barrel.</p> <p>Remove the decal from the cracking effort adjustment knob. This will allow access to the balance and anti-set mechanisms.</p>			
			<p>No tools needed this step</p>
<p>Remove the plug from the air barrel.</p> <p>Remove the poppet, balance chamber, and spring from the air barrel.</p> <p>Remove all o'rings and poppet seat.</p>			
			
<p>Using the Phillips screwdriver remove the cover screw and o'ring. Do not remove the breathing effort adjustment knob at this time.</p> <p>Remove the poppet, spring and balance chamber from the air barrel.</p>			

## SCUBAPRO S600-S550 SECOND STAGES





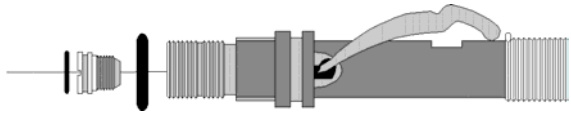



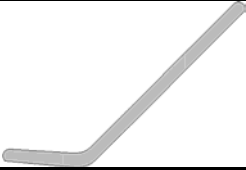
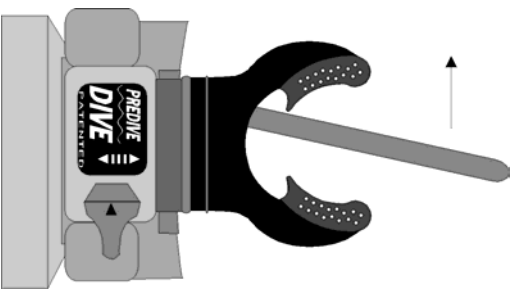




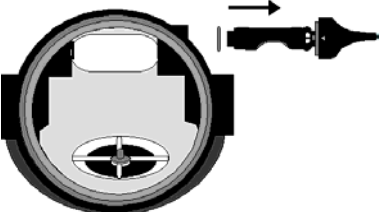
				<p>No tools needed this step</p>
<p>Turn the breathing effort adjustment knob clockwise until it is no longer in contact with the balance adjustment mechanism.</p> <p>Remove the breathing effort adjustment knob.</p>				
				
<p>Using 3mm jeweler's screwdriver turn the balance adjustment mechanism clockwise and remove.</p>				
				
<p>Turn the 3mm jeweler's screwdriver clockwise to disassemble the remainder of the balance adjustment mechanism.</p> <p>Remove all o'rings.</p>				
				
<p>Remove the knob plug using the universal tool.</p>				

## SCUBAPRO S600-S550 SECOND STAGES






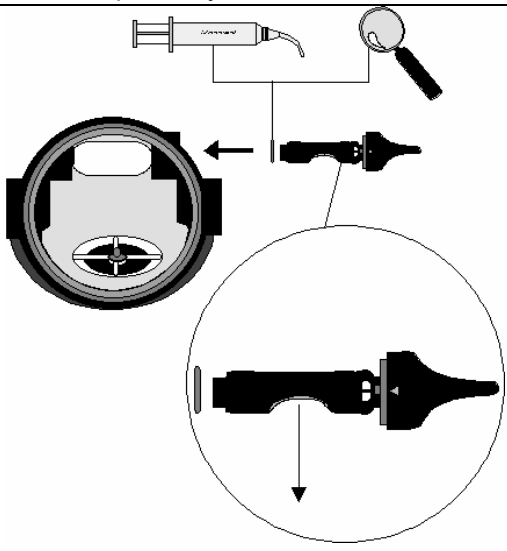
				<p>No tools needed this step</p>
<p>Remove the balance chamber and disassemble. Use caution to avoid losing o'rings, spring, and spring pad.</p>				
				<p>No tools needed this step</p>
<p>Carefully remove the poppet. The poppet o'rings and seat will be replaced.</p> <p>It is usually <u>not</u> necessary to remove the lever from the air barrel.</p>				
				
<p>Use the universal tool to remove the adjustable orifice from the air barrel.</p>				





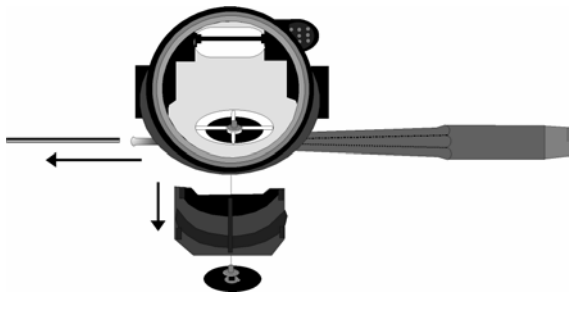


## SCUBAPRO S600-S550 SECOND STAGES






				<p>No tools needed this step</p>
<p>Remove the adjustable orifice. Take off the adjustable orifice o’ring, as it will be replaced. Remove the air barrel o’ring for inspection.</p> <p>A wooden dowel or “chopstick” may be helpful in removing the orifice.</p>				
				
<p>When it is necessary to remove the VIVA flow vane, use the flow vane removal tool (p/n 43.300.225).</p> <p>This step is seldom needed, unless the VIVA flow vane o’ring is worn or damaged.</p>			<p>This Step Is Only Performed As Needed</p>	
<p>This step is seldom needed, unless the VIVA flow vane o’ring is worn or damaged.</p>			 <p style="text-align: center;">Top view</p>	
				<p>No tools needed this step</p>
<p>If the VIVA flow vane is removed, it may be necessary to replace the entire VIVA assembly, including the o’ring.</p>			<p>This Step Is Only Performed As Needed</p>	
<p>If the VIVA flow vane is removed, it may be necessary to replace the entire VIVA assembly, including the o’ring.</p>				





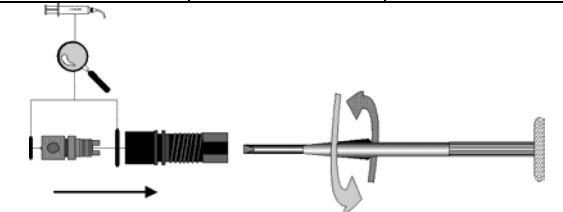
## SCUBAPRO S600-S550 SECOND STAGES





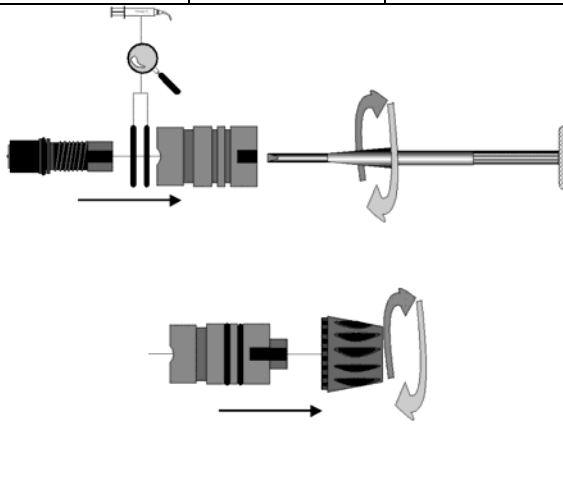
				
This Step Is Only Performed As Needed				
<p>Carefully inspect and lubricate the o'ring. The venturi vane is reversible.</p> <p><u>Maximum VIVA:</u> Place the new knob and vane assembly back into the housing with the crescent-shaped notch facing forward toward the back of the diaphragm for maximum VIVA.</p> <p><u>Minimal VIVA:</u> Place the new knob and vane assembly back into the housing with the crescent-shaped notch facing forward toward the mouthpiece opening for minimal VIVA (ie: for rental equipment).</p> <p>Push the vane inward until it is locked in place.</p>				

				
This Step Is Only Performed As Needed				
<p>If removal of the exhaust valve is necessary, use the ball-end allen wrench to push out the exhaust tee pin. Remove the center section of the exhaust tee.</p> <p>To remove the exhaust valve, grasp with fingers and pull firmly out.</p> <p>The exhaust valve will seldom need to be replaced. Careful inspection is usually all that is necessary. If the valve is removed during service, it may be damaged during the process, <u>requiring</u> replacement.</p>				





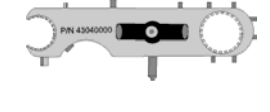
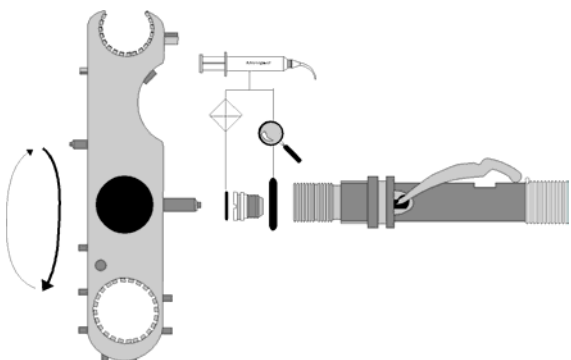
## SCUBAPRO S600-S550 SECOND STAGES





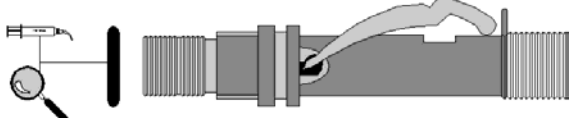
			
<p>If the exhaust valve is removed, carefully inspect and replace if necessary.</p> <p>Replace the exhaust tee center section and use the ball-end allen wrench to replace the exhaust tee pin.</p>			<p>This Step Is Only Performed As Needed</p> 





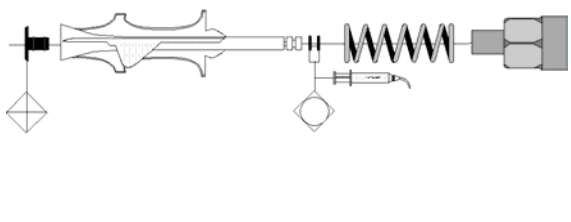
					
<p>Turn the 3mm jeweler's screwdriver counterclockwise to assemble the balance adjustment mechanism.</p> <p>Inspect and lubricate all o'rings.</p>					

					
<p>Thread the balance adjustment mechanism into the breathing adjustment knob assembly. Turn counterclockwise using the 3mm jeweler's screwdriver until enough of the mechanism is extended to permit contact with the external knob.</p> <p>Slide the external knob on the stem and turn counterclockwise to "pull" the mechanism into the knob assembly.</p>					



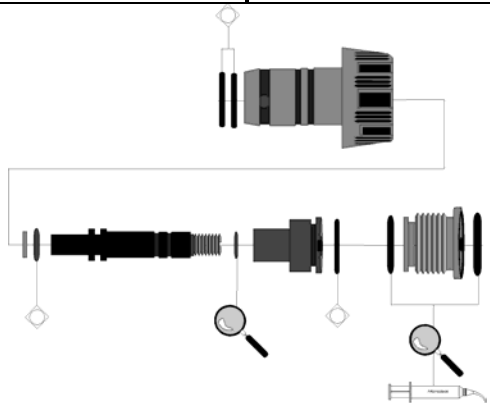
## SCUBAPRO S600-S550 SECOND STAGES



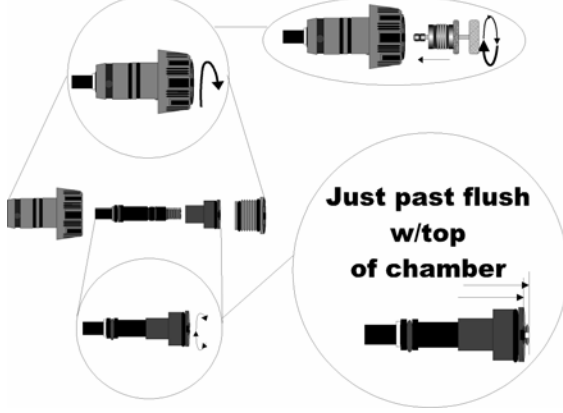
				
<p>Replace the adjustable orifice o’ring and lubricate properly. Inspect the air barrel o’ring and replace if necessary. Lubricate properly.</p> <p>Push the adjustable orifice in, and then use the universal tool to turn in the adjustable orifice one turn.</p>				




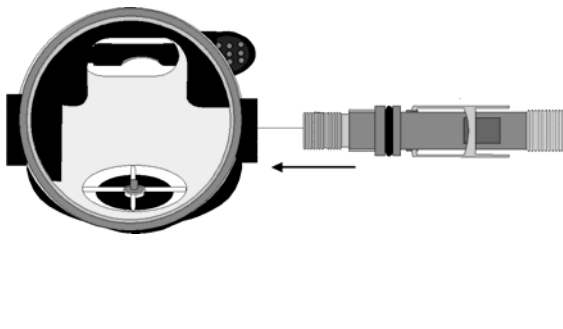
				
<p>Inspect and lubricate the air barrel o’ring.</p>				

				
<p>Prepare the poppet by replacing the seat and replacing/lubricating the dynamic o’rings.</p> <p><b>NOTE:</b> Do not install the poppet/spring or balance chamber into the air barrel at this time.</p>				



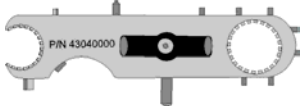
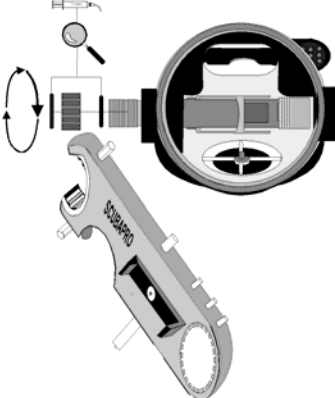
## SCUBAPRO S600-S550 SECOND STAGES




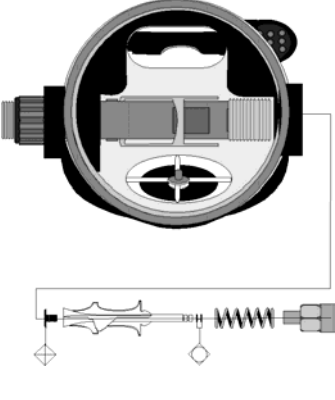
			
<p>Lubricate all dynamic o’rings properly and replace. Carefully inspect and lubricate all static o’rings and replace where needed.</p>			



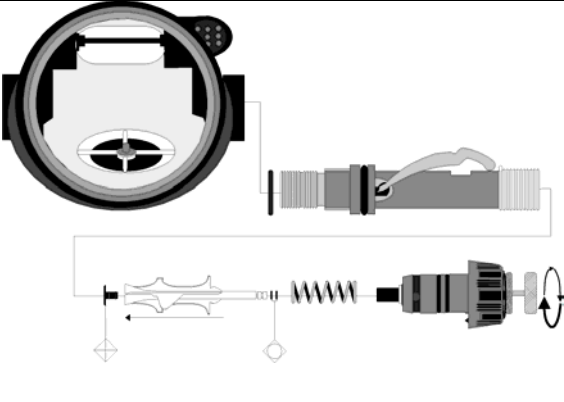
			<p>No tools needed this step</p>
<p>Assemble the two-piece balance chamber as shown and insert it into the cracking effort adjustment knob.</p> <p>Do not install the “anti-set chamber” into the end of the assembly at this time. The balance chamber adjustment tool should be installed in preparation for final adjustments.</p> <p>NOTE: The spring pad can be installed on the poppet or the balance chamber.</p>			

				<p>No tools needed this step</p>
<p>Insert the air barrel and breathing adjustment assembly (without the external knob) into the regulator body.</p> <p>If necessary, use the universal tool and jam nut to assist in pulling the air barrel all the way through the regulator case.</p>				


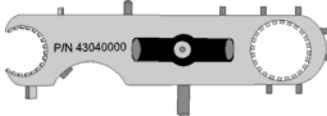
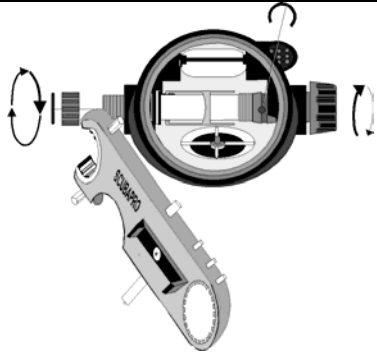
## SCUBAPRO S600-S550 SECOND STAGES



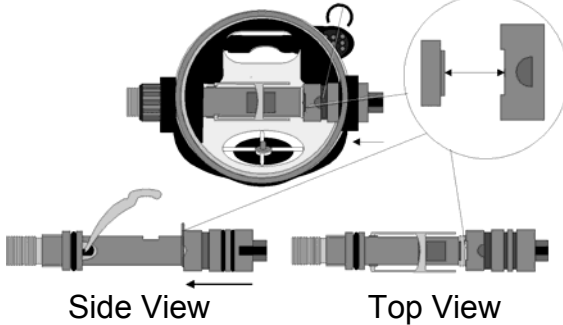
			
<p>Inspect and lubricate static o’rings.</p> <p>Attach jam nut and o’rings as shown. Tighten with universal tool.</p>			


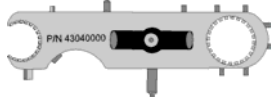
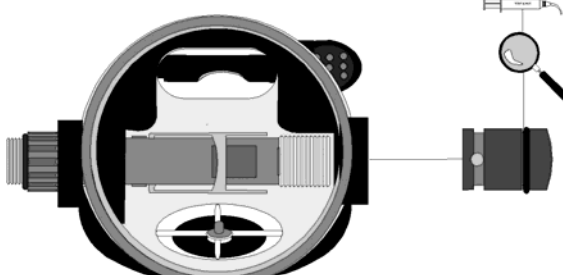
				<p>No tools needed this step</p>
<p>Install the poppet so that the “feet” are engaged with the demand lever. Insert the spring, then the balance chamber.</p>				

				<p>No tools needed this step</p>
<p>Replace the seat on the poppet, and replace and lubricate the poppet stem o’ring.</p> <p>Install the poppet so that the “feet” are engaged with the demand lever. Insert the spring, and then insert the cracking effort adjustment knob assembly. Thread onto the air barrel.</p> <p>Holding the lever down, insert the air barrel into the case and push all the way through.</p>				


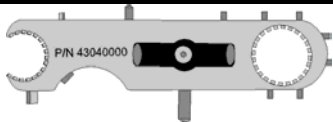
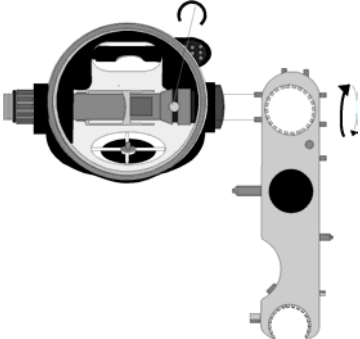




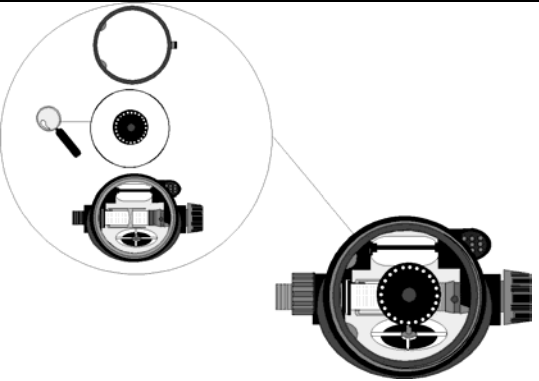



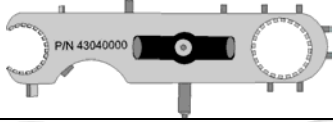
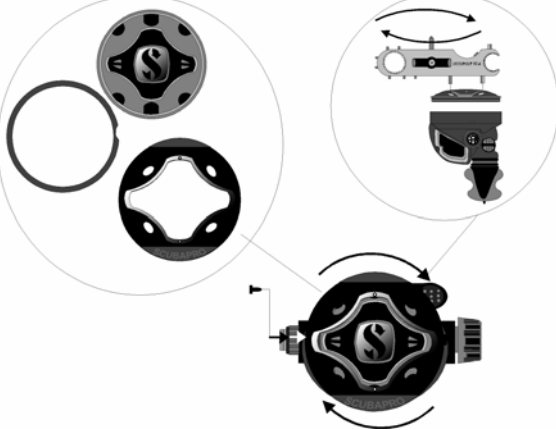
## SCUBAPRO S600-S550 SECOND STAGES

			
<p>Attach the jam nut on the air barrel. Place the o’ring on the air barrel next to the jam nut if needed.</p> <p>Thread the cracking effort adjustment knob inward until there is enough clearance to install the stop clip.</p> <p>Press the stop clip carefully into place. Back the adjustment knob out against the clip ensuring that it stops.</p>			

				<p>No tools needed this step</p>
<p>Insert the breathing adjustment assembly without the external knob onto the air barrel.</p> <p>Push the assembly all the way onto the barrel, being sure to engage the notch on the assembly with the key on the air barrel as shown</p> <p>Install the stop clip.</p>			 <p style="text-align: center;">Side View                      Top View</p>	





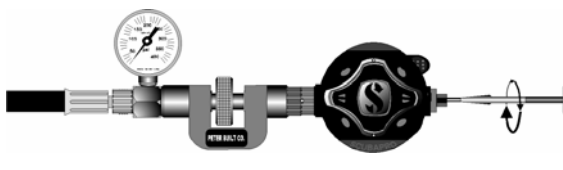
			
<p>Inspect and lubricate the plug o’ring.</p> <p>Insert the plug. Thread onto the air barrel.</p>			


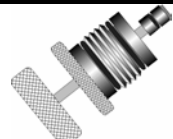

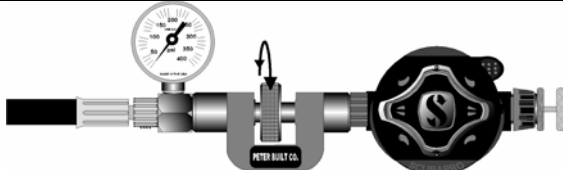
## SCUBAPRO S600-S550 SECOND STAGES



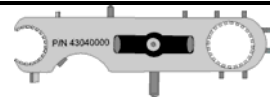
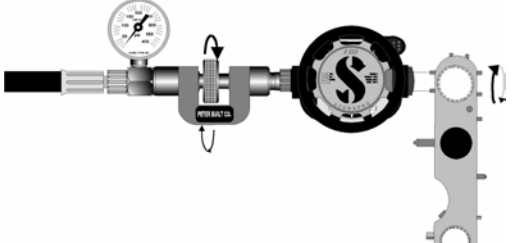
				
<p>Thread the plug inward until there is enough clearance to install the stop clip.</p> <p>Press the stop clip carefully into place. Back the plug out against the clip ensuring that it stops.</p>				
				<p>No tools needed this step</p>
<p>Inspect the diaphragm for wear, and replace if necessary.</p> <p>Install the diaphragm and friction washer, being certain that the two pieces lay flat inside the second stage housing. Note that the friction washer uses an alignment tab to prevent movement once installed.</p>				
				
<p>Put the two-piece cover together, arranging the pieces so that they are aligned properly. Use the additional free-moving friction washer between the two-piece cover and the diaphragm/stationary friction washer.</p> <p>Use the universal tool to tighten the cover, being certain that the SCUBAPRO "S" is properly positioned.</p> <p>Install a new housing pin into the side of the housing.</p>				



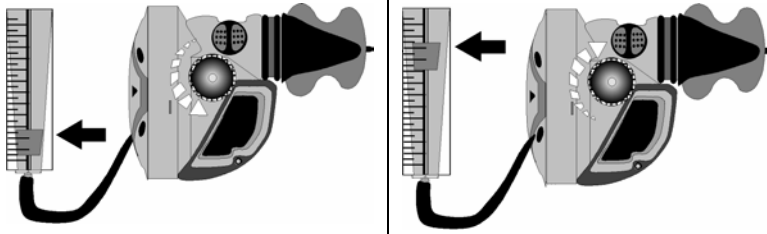


## SCUBAPRO S600-S550 SECOND STAGES



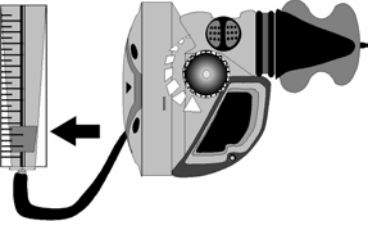
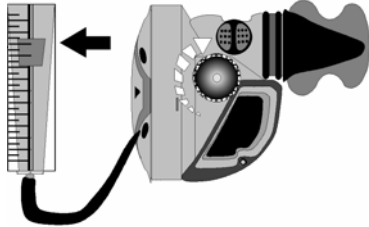
					
<p>Use the pneumatic adjusting tool to make the initial air-on adjustments to the second stage. The 3mm screwdriver can be used to make course adjustments on the balance chamber and to stop free flows.</p>					


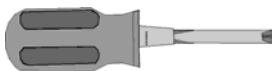

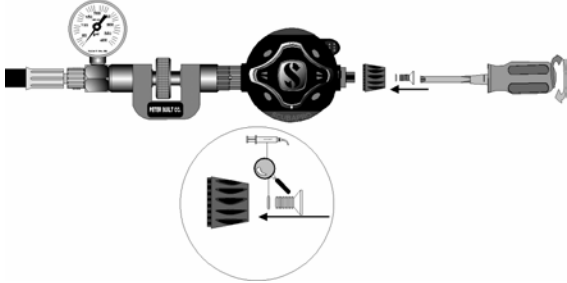
					
<p>Use the pneumatic adjusting tool to make the initial air-on adjustments to the second stage, and to stop all free flowing. The balance chamber tool will be used to fine-tune the breathing effort (see the next step).</p>					


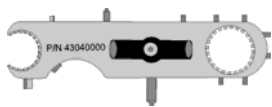

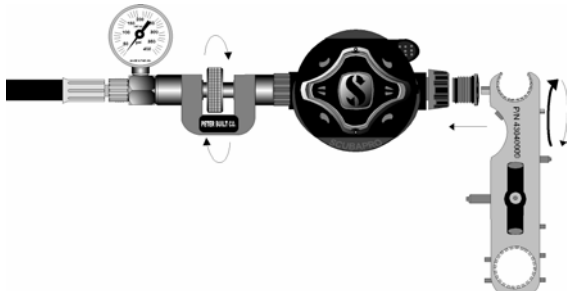
					
<p>Use the pneumatic adjusting tool to make the initial air-on adjustments to the second stage. The universal tool can be used to make course adjustments on the plug to stop free flows.</p>					

			
<p>Adjusting the balance chamber counter clockwise reduces cracking effort.</p> <p>Adjusting the balance chamber clockwise increases cracking effort.</p>			





## SCUBAPRO S600-S550 SECOND STAGES





			
<p>Adjusting the balance chamber counter clockwise reduces cracking effort.</p> <p>Adjusting the balance chamber clockwise increases cracking effort.</p>			

				
<p>Inspect and lubricate the external adjustment knob o'ring.</p> <p>Re-install external breathing adjustment knob and tighten using the Philips screwdriver.</p> <p>Make any additional adjustments using the pneumatic adjusting tool.</p>				

				
<p>Re-install the "anti-set chamber" and tighten until it is flush with the outside of the cracking effort adjustment knob.</p> <p>Make any additional adjustments using the pneumatic adjusting tool and balance chamber adjusting tool.</p>				

## SCUBAPRO S600-S550 SECOND STAGES

				<p>No tools needed this step</p>
<p>Install a new “Dive” decal if appropriate.</p>				

			
<p>Check the cracking effort of the regulator.</p> <p>S600: Inhalation effort range: 1.0 to 1.4 inches of water.</p> <p>S550 Inhalation effort range: 1.0 to 1.4 inches of water.</p>			